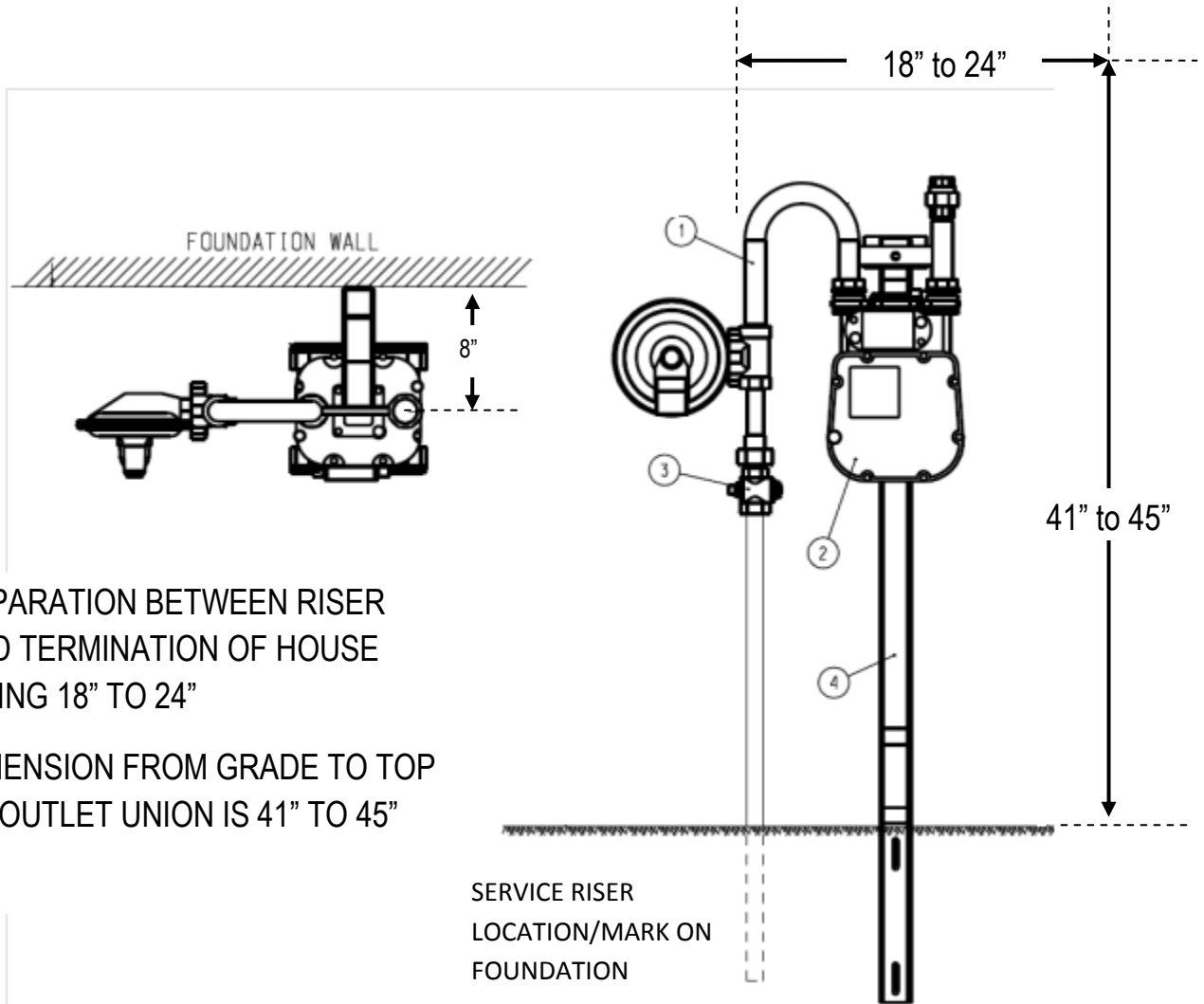


Residential Houseline Placement



SEPARATION BETWEEN RISER
AND TERMINATION OF HOUSE
PIPING 18" TO 24"

DIMENSION FROM GRADE TO TOP
OF OUTLET UNION IS 41" TO 45"

SERVICE RISER
LOCATION/MARK ON
FOUNDATION

LEGEND:

1. INLET PIPING
2. METER
3. LOCK WING STOP
4. METER SUPPORT BRACKET (ONLY USE ON NEW CONSTRUCTION)